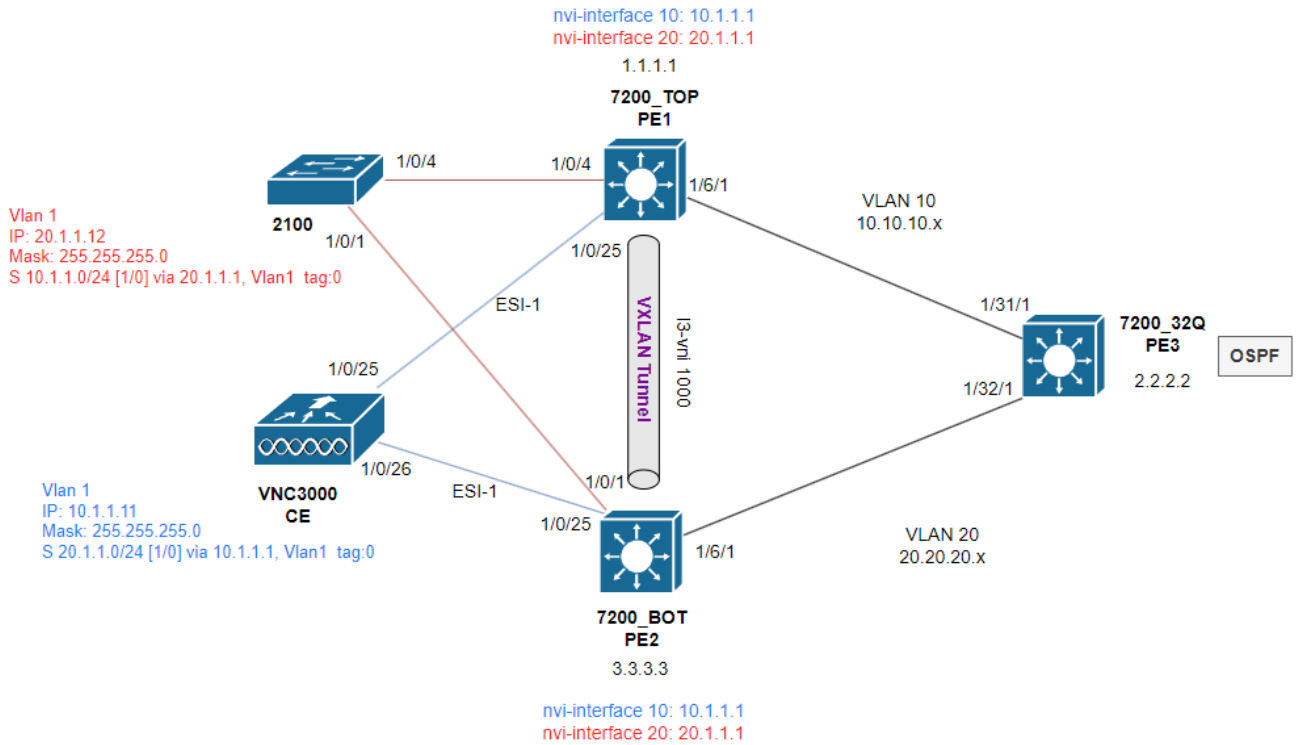


-EVPN VXLAN Dual Homing Access



```

spanning-tree . .
route-target both 100:100, nvi.
20.1.1.0/24 [1/0] via 10.1.1.1, , 0.0.0.0. DG .

```

7200_TOP:

```

hostname 7200_TOP
sysLocation 123007, Moscow, 1-st Magistralnaya street, 13b7
sysContact 8(800)302-42-57
!
multi config access
authentication logging enable
!
username admin privilege 15 password 7 88ad795fe330411b653d6f18e8e4f4e5
username zakko privilege 15 password 7 cc5f68197114476743ac55440382994e
!
authentication line console login local
!
!
!
!
!
ssh-server enable
ssh-server timeout 600
!
info-center logfile 4 config count 40960 flash logfile.log
info-center logfile 4 output-enable
info-center logfile 4 match level warnings
info-center logfile 3 record-cmd

```

```
info-center logfile 4 record-cmd
!  
!  
!  
lldp enable  
spanning-tree  
!  
!  
!  
Interface Ethernet0  
ip address 192.168.255.11 255.255.255.0  
!  
!  
!  
evpn nve source-address 1.1.1.1  
!  
!  
vlan 1;10  
!  
vxlan remote mac-address-learning disable  
vxlan remote arp-learning disable  
vxlan remote nd-learning disable  
loopback-group 1  
!  
nvi 10  
vxlan-id 10  
evpn  
rd 1:1  
route-target both 100:100  
enable  
evpn-exit  
!  
nvi 20  
vxlan-id 20  
evpn  
rd 30:30  
route-target both 100:100  
enable  
evpn-exit  
!  
!  
!  
Interface Ethernet1/0/3  
speed-duplex force1g-full  
description For_VXLAN_proxy  
loopback-group 1  
!  
Interface Ethernet1/0/4  
speed-duplex force1g-full  
description TO_2100  
no spanning-tree  
xconnect nvi 20  
esi 0011.2222.3333.4444.5555  
!  
Interface Ethernet1/0/5  
!  
!  
Interface Ethernet1/0/24  
!  
Interface Ethernet1/0/25  
speed-duplex force1g-full  
description TO_VNC3000  
no spanning-tree  
xconnect nvi 10  
esi 0011.2222.3333.4444.4444  
!  
Interface Ethernet1/0/26  
speed-duplex force1g-full  
!  
!  
Interface Ethernet1/6/1  
speed-duplex force40g-full  
description TO_7200_32Q  
switchport access vlan 10  
!
```

```

vxlan proxy loopback-group 1
!
ip vrf vpn1
rd 33:1
route-target both 100:1
!3-vni 1000
!
interface Vlan1
ip address 192.168.1.1 255.255.255.0
!
interface Vlan10
ip address 10.10.10.1 255.255.255.0
!
interface Loopback1
ip address 1.1.1.1 255.255.255.255
!
interface Nvi-interface10
ip vrf forwarding vpn1
mac-address 00-00-33-33-99-99
distributed-gateway enable
ipv6 address 2103::1/64
ip address 10.1.1.1 255.255.255.0
!
interface Nvi-interface20
ip vrf forwarding vpn1
mac-address 00-00-33-34-99-99
distributed-gateway enable
ipv6 address 2203::1/64
ip address 20.1.1.1 255.255.255.0
!
router ospf 1
ospf router-id 1.1.1.1
network 1.1.1.1 0.0.0.0 area 0
network 10.10.10.0 0.0.0.255 area 0
!
router bgp 100
neighbor 2.2.2.2 remote-as 100
neighbor 2.2.2.2 update-source 1.1.1.1
neighbor 3.3.3.3 remote-as 100
neighbor 3.3.3.3 update-source 1.1.1.1
address-family l2vpn evpn
neighbor 2.2.2.2 activate
neighbor 3.3.3.3 activate
exit-address-family
address-family ipv4 vrf vpn1
redistribute connected
exit-address-family
!
ip route 0.0.0.0/0 192.168.255.1
ip route 10.0.254.0/23 192.168.255.1
!
!
exec-timeout 30 0
no login
!
end

```

7200_BOT:

```

hostname 7200_BOT
sysLocation 123007, Moscow, 1-st Magistralnaya street, 13b7
sysContact 8(800)302-42-57
!
multi config access
authentication logging enable
!
username admin privilege 15 password 7 88ad795fe330411b653d6f18e8e4f4e5
username zakko privilege 15 password 7 cc5f68197114476743ac55440382994e
!
authentication line console login local
!
!
!
!
ssh-server enable
ssh-server timeout 600
!
info-center logfile 4 config count 40960 flash logfile.log
info-center logfile 4 output-enable

```

```
info-center logfile 4 match level warnings
info-center logfile 4 record-cmd
!
!
!
lldp enable
spanning-tree
!
!
!
Interface Ethernet0
ip address 192.168.255.15 255.255.255.0
!
!
!
evpn nve source-address 3.3.3.3
!
!
!
vlan 1;20
!
vxlan remote mac-address-learning disable
vxlan remote arp-learning disable
vxlan remote nd-learning disable
loopback-group 1
!
nvi 10
vxlan-id 10
evpn
rd 3:3
route-target both 100:100
enable
evpn-exit
!
nvi 20
vxlan-id 20
evpn
rd 30:30
route-target both 100:100
enable
evpn-exit
!
!
Interface Ethernet1/0/1
speed-duplex force1g-full
description TO_2100
no spanning-tree
xconnect nvi 20
esi 0011.2222.3333.4444.5555
!
Interface Ethernet1/0/2
speed-duplex force1g-full
!
Interface Ethernet1/0/3
speed-duplex force1g-full
description For_VXLAN_proxy
loopback-group 1
!
Interface Ethernet1/0/4
speed-duplex force1g-full
!

Interface Ethernet1/0/24
!
Interface Ethernet1/0/25
speed-duplex force1g-full
description TO_VNC3000
no spanning-tree
xconnect nvi 10
esi 0011.2222.3333.4444.4444
!
!

Interface Ethernet1/6/1
speed-duplex force40g-full
description TO_7200_32Q
switchport access vlan 20
!
vxlan proxy loopback-group 1
```

```

!
ip vrf vpn1
 rd 33:1
  route-target both 100:1
  !3-vni 1000
!
interface Vlan20
 ip address 20.20.20.1 255.255.255.0
!
interface Loopback1
 ip address 3.3.3.3 255.255.255.255
!
interface Nvi-interface10
 ip vrf forwarding vpn1
 mac-address 00-00-33-33-99-99
 distributed-gateway enable
 ipv6 address 2103::1/64
 ip address 10.1.1.1 255.255.255.0
!
interface Nvi-interface20
 ip vrf forwarding vpn1
 mac-address 00-00-33-34-99-99
 distributed-gateway enable
 ipv6 address 2203::1/64
 ip address 20.1.1.1 255.255.255.0
!
router ospf 1
 ospf router-id 3.3.3.3
 network 3.3.3.3 0.0.0.0 area 0
 network 20.20.20.0 0.0.0.255 area 0
!
router bgp 100
 neighbor 1.1.1.1 remote-as 100
 neighbor 1.1.1.1 update-source 3.3.3.3
 neighbor 2.2.2.2 remote-as 100
 neighbor 2.2.2.2 update-source 3.3.3.3
 address-family l2vpn evpn
 neighbor 1.1.1.1 activate
 neighbor 2.2.2.2 activate
 exit-address-family
 address-family ipv4 vrf vpn1
 redistribute connected
 exit-address-family
!
ip route 0.0.0.0/0 192.168.255.1
ip route 10.0.254.0/23 192.168.255.1
!
!
exec-timeout 30 0
no login
!
end

```

7200_32Q:

```

hostname 7200_32Q
sysLocation 123007, Moscow, 1-st Magistralnaya street, 13b7
sysContact 8(800)302-42-57
!
authentication logging enable
!
username admin privilege 15 password 7 88ad795fe330411b653d6f18e8e4f4e5
username zakko privilege 15 password 7 cc5f68197114476743ac55440382994e
username test password 7 098f6bcd4621d373cade4e832627b4f6
!
authentication line console login local
!
!
!
!
ssh-server enable
ssh-server timeout 600
!
info-center logfile 4 config count 40960 flash logfile.log
info-center logfile 4 output-enable
info-center logfile 4 match level warnings
!
!
!

```

```
!  
!  
Interface Ethernet0  
ip address 192.168.255.17 255.255.255.0  
!  
!  
!  
!  
vlan 1;10;20  
!  
!  
Interface Ethernet1/1/1  
!  
Interface Ethernet1/2/1  
!  
Interface Ethernet1/3/1  
!  
Interface Ethernet1/4/1  
!  
Interface Ethernet1/5/1  
!  
Interface Ethernet1/6/1  
!  
Interface Ethernet1/7/1  
!  
Interface Ethernet1/8/1  
!  
Interface Ethernet1/9/1  
!  
Interface Ethernet1/10/1  
!  
Interface Ethernet1/11/1  
!  
Interface Ethernet1/12/1  
!  
Interface Ethernet1/13/1  
!  
Interface Ethernet1/14/1  
!  
Interface Ethernet1/15/1  
!  
Interface Ethernet1/16/1  
!  
Interface Ethernet1/17/1  
!  
Interface Ethernet1/18/1  
!  
Interface Ethernet1/19/1  
!  
Interface Ethernet1/20/1  
!  
Interface Ethernet1/20/2  
!  
Interface Ethernet1/20/3  
!  
Interface Ethernet1/20/4  
!  
Interface Ethernet1/21/1  
!  
Interface Ethernet1/22/1  
!  
Interface Ethernet1/23/1  
!  
Interface Ethernet1/24/1  
!  
Interface Ethernet1/25/1  
!  
Interface Ethernet1/26/1  
!  
Interface Ethernet1/27/1  
!  
Interface Ethernet1/28/1  
!  
Interface Ethernet1/29/1  
!  
Interface Ethernet1/30/1  
description 7200_TOP-100G-down  
shutdown
```

```
!  
Interface Ethernet1/31/1  
speed-duplex force40g-full  
description TO_7200_TOP  
switchport access vlan 10  
!  
Interface Ethernet1/32/1  
speed-duplex force40g-full  
description TO_7200_BOT  
switchport access vlan 20  
!  
interface Vlan10  
ip address 10.10.10.2 255.255.255.0  
!  
interface Vlan20  
ip address 20.20.20.2 255.255.255.0  
!  
interface Loopback1  
ip address 2.2.2.2 255.255.255.255  
!  
router ospf 1  
ospf router-id 2.2.2.2  
network 2.2.2.2 0.0.0.0 area 0  
network 10.10.10.0 0.0.0.255 area 0  
network 20.20.20.0 0.0.0.255 area 0  
!  
ip route 0.0.0.0/0 192.168.255.1  
ip route 10.0.254.0/23 10.0.1.1  
!  
!  
no login  
!  
end
```

:

show :

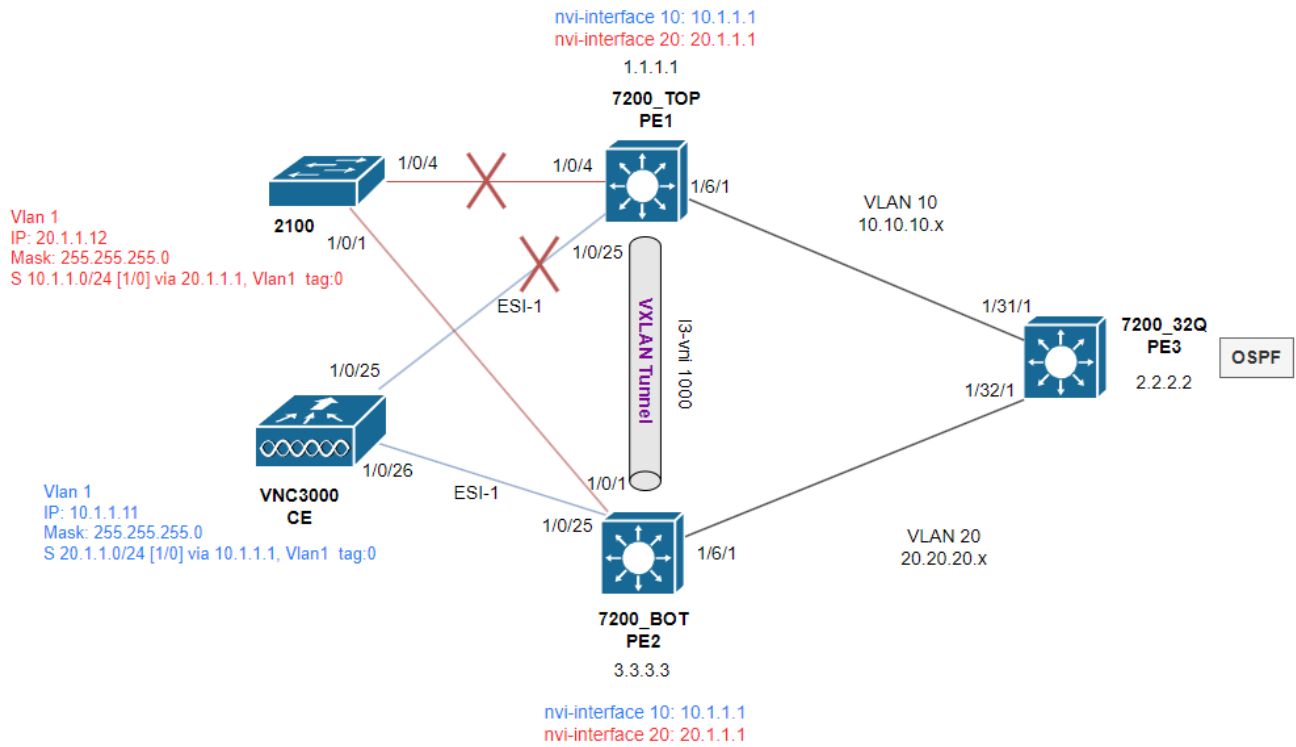
```
show arp vrf vpn1  
show ip route vrf vpn1  
show ip bgp neighbors  
show evpn nve all  
show evpn nvi all  
show nvi nve tunnel  
show vxlan mac-address-table  
show ip bgp evpn all
```

All show commands in attach, file "show_commands_1.txt".



show_commands_1.txt

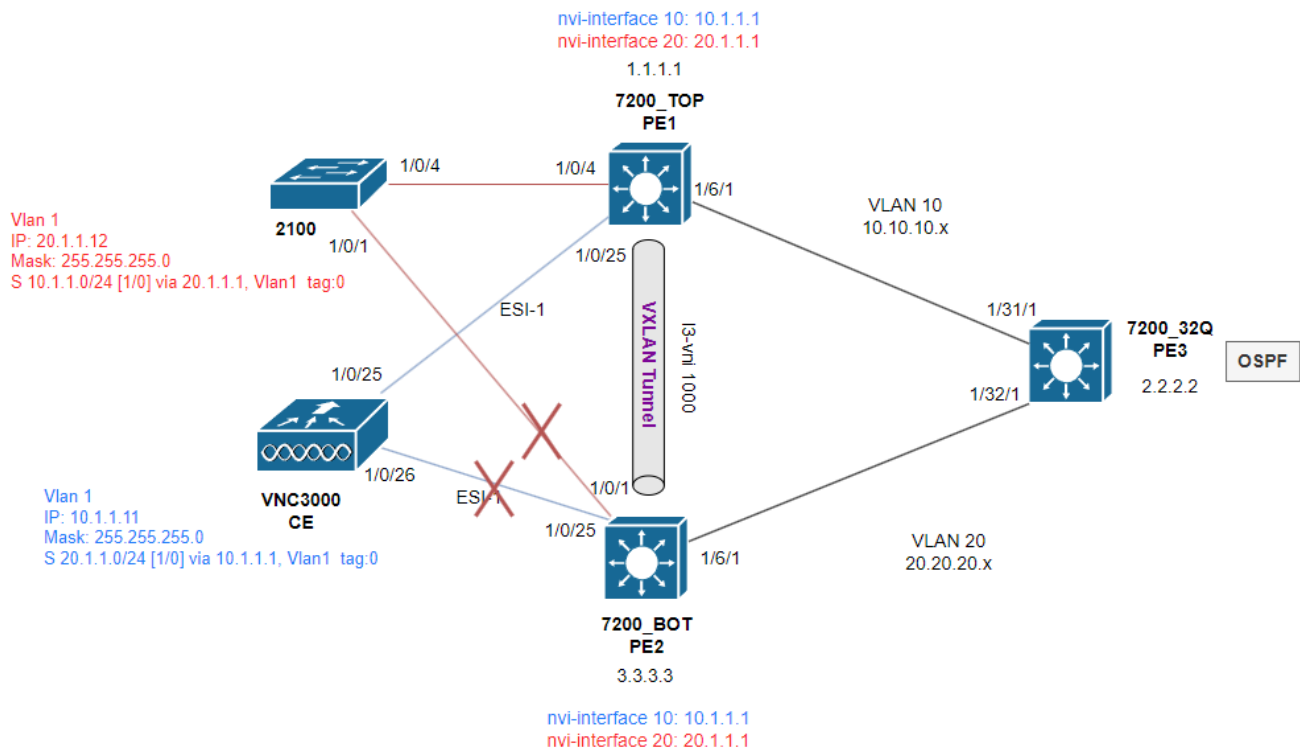
PE.
PE1:



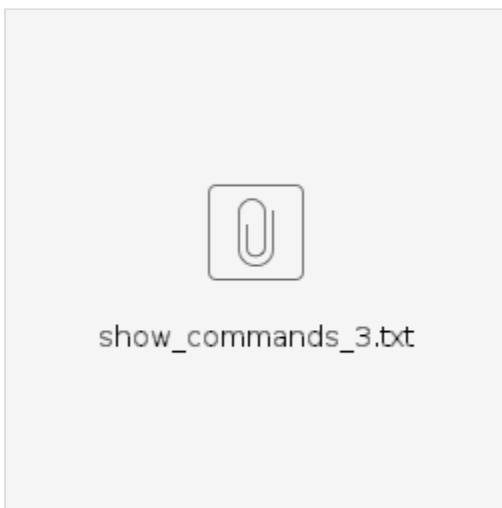
All show commands in attach, file "show_commands_2.txt".

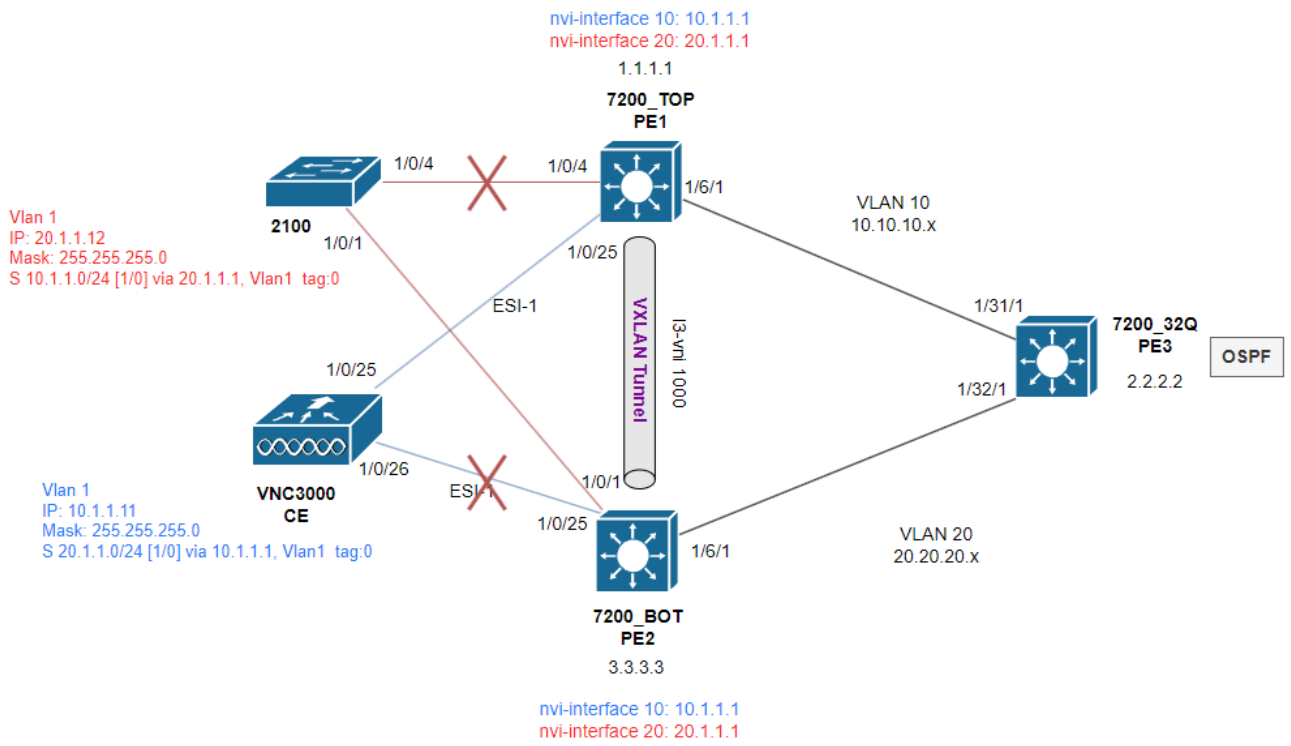


PE2.



All show commands in attach, file "show_commands_3.txt".

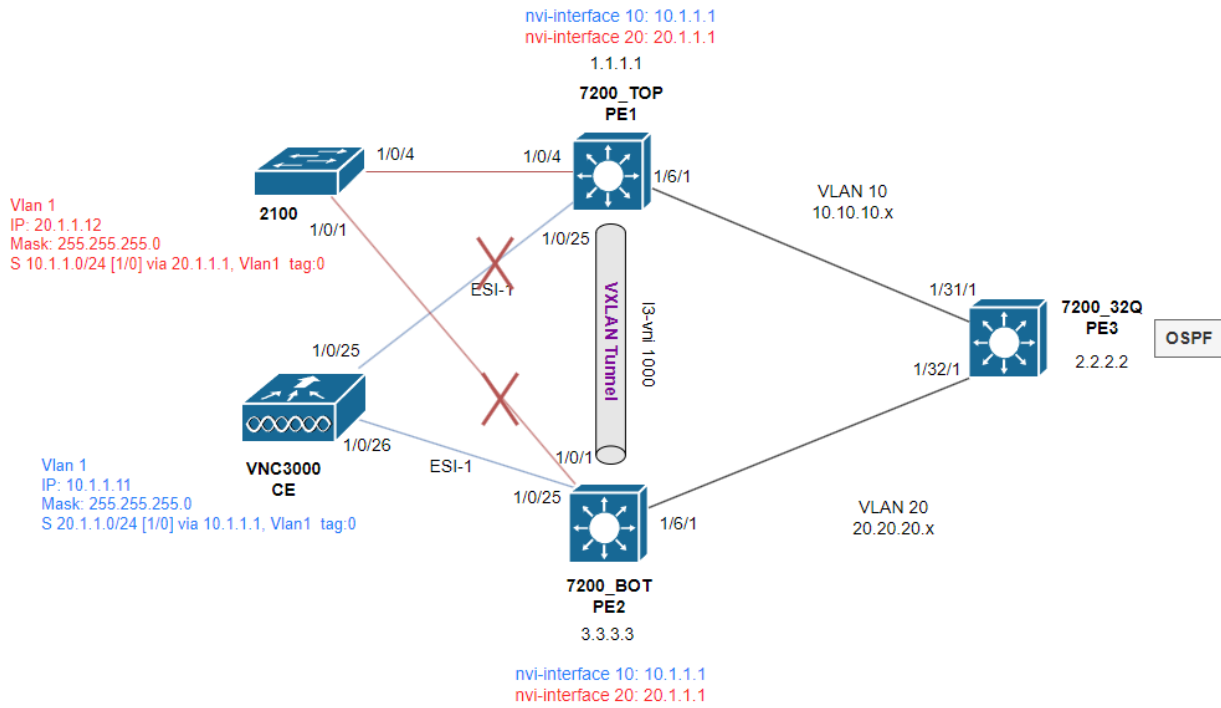




All show commands in attach, file "show_commands_4.txt".



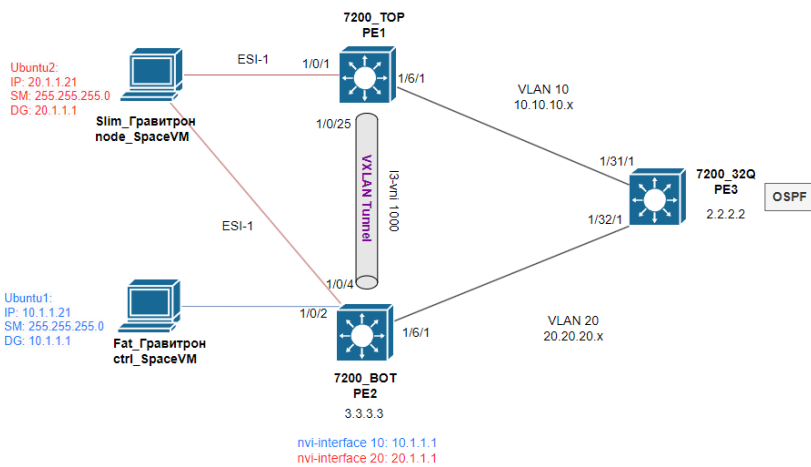
show_commands_4.txt



All show commands in attach, file "show_commands_5.txt".



show_commands_5.txt



1/0/6 VA2100-24P 2 7200.

```
Interface Ethernet1/0/2
no spanning-tree
xconnect nvi 10
```

```
FAT_ctrl
10.1.1.21 255.255.255.0
```

```
10.1.1.11 .
VNC, FAT.
```

, 2 7200 4 7200.

```
BOT
Interface Ethernet1/0/4
speed-duplex force1g-full
description Slim_node
no spanning-tree
xconnect nvi 20
esi 0011.2222.3333.4444.6666
```

```
TOP
Interface Ethernet1/0/1
speed-duplex force1g-full
description TO_PC_slim
no spanning-tree
xconnect nvi 20
esi 0011.2222.3333.4444.6666
```

Slim_node

20.1.1.21 255.255.255.0

```
iperf3 -c 10.1.1.21 -R -P 10 -V -t 0
iperf3 -s
```

10

linux

1-
100 mbit (900 800)

1-
100 mbit (900 800)

2-
0 20, 900, .

2-

iperf

1-
100 mbit (900 800)

1 mbit

1-

iperf

2-
0 20, 900, .

32Q

:

7200_32Q#show run

!!

switch convert mode stand-alone

!!

!

no service password-encryption

!

hostname 7200_32Q

sysLocation 123007, Moscow, 1-st Magistralnaya street, 13b7

sysContact 8(800)302-42-57

!

authentication logging enable

!

username admin privilege 15 password 7 88ad795fe330411b653d6f18e8e4f4e5

username zakko privilege 15 password 7 cc5f68197114476743ac55440382994e

username test password 7 098f6bcd4621d373cade4e832627b4f6

!

authentication line console login local

!

!

!

!

!

ssh-server enable

ssh-server timeout 600

!

info-center logfile 4 config count 40960 flash logfile.log

info-center logfile 4 output-enable

info-center logfile 4 match level warnings

!

!

!

!

!

Interface Ethernet0

ip address 192.168.255.17 255.255.255.0

!

!

!

!

port-group 100

!

!

vlan 1;10;20

!

!

Interface Ethernet1/1/1

!

Interface Ethernet1/2/1

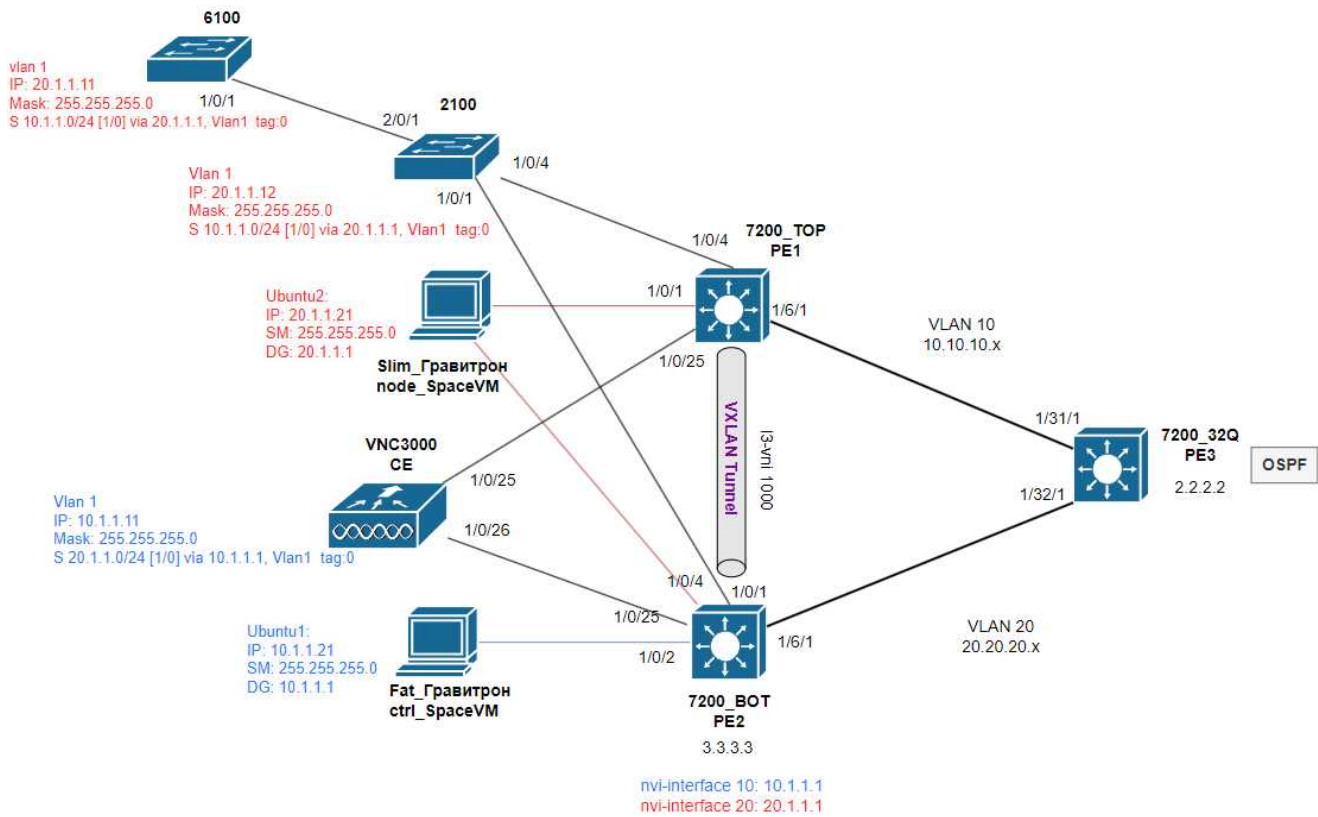
!

```
Interface Ethernet1/3/1
!
Interface Ethernet1/4/1
!
Interface Ethernet1/5/1
!
Interface Ethernet1/6/1
!
Interface Ethernet1/7/1
!
Interface Ethernet1/8/1
!
Interface Ethernet1/9/1
!
Interface Ethernet1/10/1
!
Interface Ethernet1/11/1
!
Interface Ethernet1/12/1
!
Interface Ethernet1/13/1
!
Interface Ethernet1/14/1
!
Interface Ethernet1/15/1
!
Interface Ethernet1/16/1
!
Interface Ethernet1/17/1
!
Interface Ethernet1/18/1
!
Interface Ethernet1/19/1
!
Interface Ethernet1/20/1
!
Interface Ethernet1/20/2
!
Interface Ethernet1/20/3
!
Interface Ethernet1/20/4
!
Interface Ethernet1/21/1
!
Interface Ethernet1/22/1
!
Interface Ethernet1/23/1
!
Interface Ethernet1/24/1
!
Interface Ethernet1/25/1
!
Interface Ethernet1/26/1
!
Interface Ethernet1/27/1
!
Interface Ethernet1/28/1
!
Interface Ethernet1/29/1
!
Interface Ethernet1/30/1
description 7200_TOP-100G-down
shutdown
!
Interface Ethernet1/31/1
speed-duplex force40g-full
description TO_7200_TOP
switchport access vlan 10
!
Interface Ethernet1/32/1
speed-duplex force40g-full
description TO_7200_BOT
switchport access vlan 20
!
Interface Port-Channel100
load-balance enhance-profile
!
interface Vlan10
ip address 10.10.10.2 255.255.255.0
```

```

!
interface Vlan20
ip address 20.20.20.2 255.255.255.0
!
interface Loopback1
ip address 2.2.2.2 255.255.255.255
!
router ospf 1
ospf router-id 2.2.2.2
network 2.2.2.2 0.0.0.0 area 0
network 10.10.10.0 0.0.0.255 area 0
network 20.20.20.0 0.0.0.255 area 0
!
ip route 0.0.0.0/0 192.168.255.1
ip route 10.0.254.0/23 10.0.1.1
!
!
no login
!
end

```



V705R203C001B041